



## Installation & Maintenance Instructions

### Drum Type Auxiliary Switch



***IMPORTANT: Read manual before installing or maintaining equipment! Make absolutely sure that equipment is de-energized and properly grounded.***

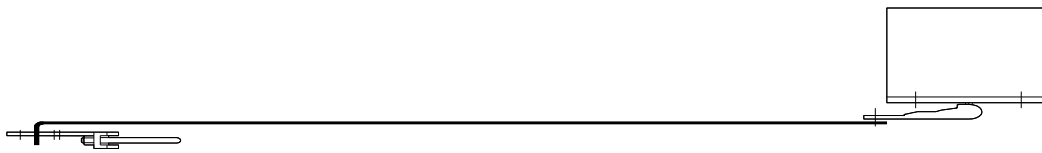
The Pascor Atlantic drum-type auxiliary switch consists of 16 circuits. It can be mounted to either the right or left of the main or ground switch vertical operating pipe.

When used with a torsional operating mechanism, it is connected through cranks and a connecting rod to 1-1/2", 2" or 2-1/2" IPS operating pipes that travel in a 70° to 200° range. The offset connecting rod must be inverted when the auxiliary switch is located to the right side of the vertical operating pipe as per **Fig. 1**. The connecting rod is furnished for a maximum length of 36" centers. For crank positioning and connection of the rod assembly to the vertical operating pipe crank see **Fig 2 and Table 2**.

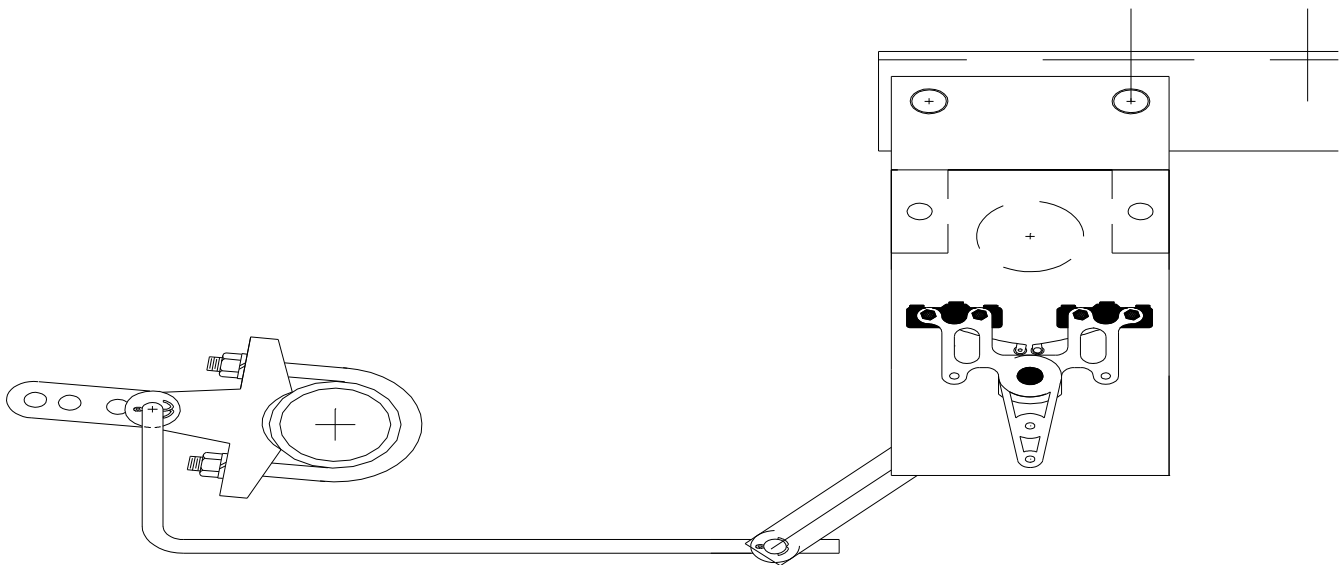
The contact position of each auxiliary contact is infinitely adjustable through 360°. To adjust the cams, use the allen wrench provided to loosen the small allen screw on the cam. The cam can then be freely rotated in either direction a full 360°. Once the desired position is obtained the cam is secured by tightening the allen screw to the shaft. The allen screw should be tightened until resistance is felt against the shaft. After resistance is met, continue by turning 1/2 turn further to secure the cam to the shaft.

**The continuous current rating of the contacts is 15 amperes, AC or DC.**

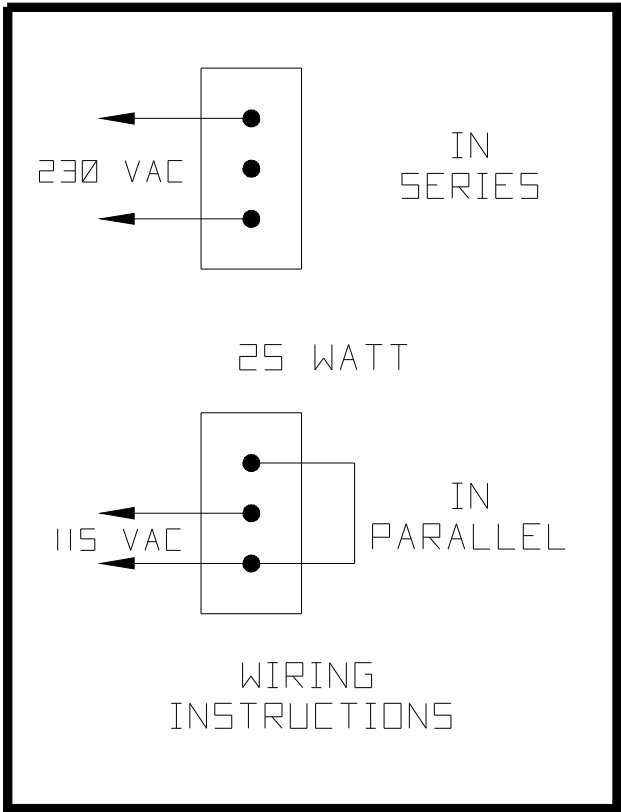
**The heater, when supplied, is wired per Fig. 3.**



**Fig. 1**



**Fig. 2**



**Fig. 3 Heater Wiring Diagram**

**Table 1 - Dimensions**

Number of Circuits	Enclosure Height (in/mm)	Conduit Opening Diameter (in/mm)
16	8/203	2.13/54

**Table 2 – Pipe Crank Hole Connection Number**

Vertical Operating Pipe Size (SPS)	Pipe Travel	
	70° to 200°	120° to 200°
	Crank Hole Number	
1-1/2	4	2
2	3	1
2-1/2	1	1