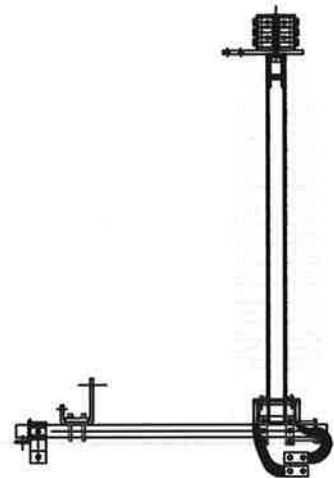


**1** Verify Structure is Level and Plumb  
Mounting Holes Match Installation Drawings

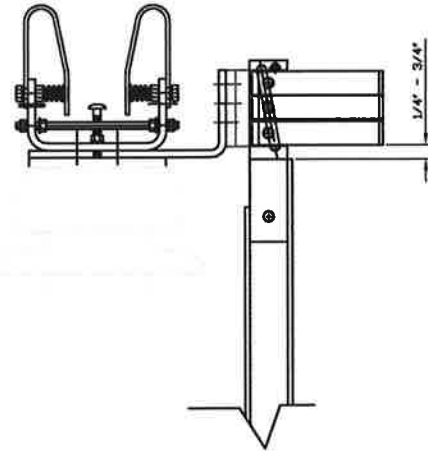
\*\*\*IMPORTANT\*\*\*

**2** Mounting Holes Match Installation Drawings

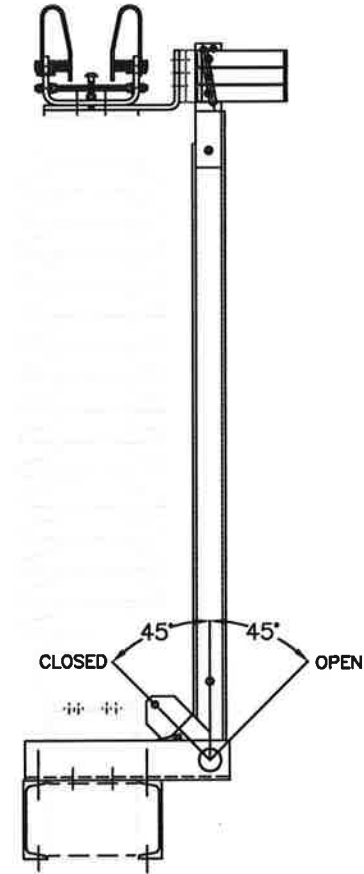


**3** Check Blade Depth In Jaw

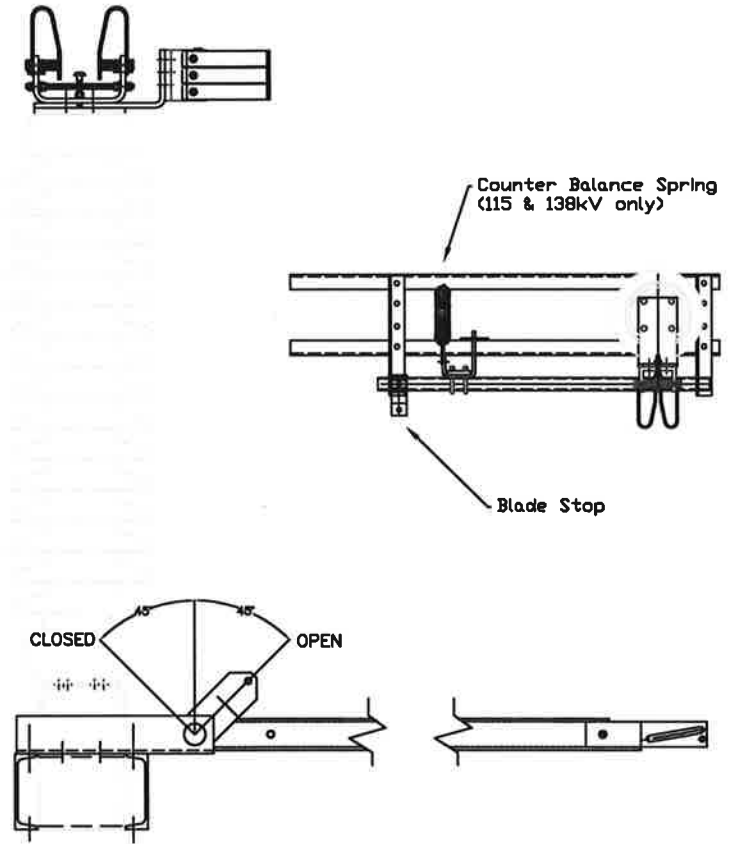
**4** Inline with Contact Finger Pressure Springs



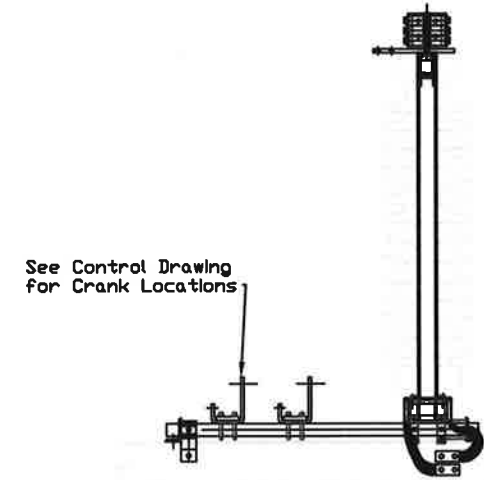
**5a.** Check Blade Closing



**5b.** Check Blade Opening

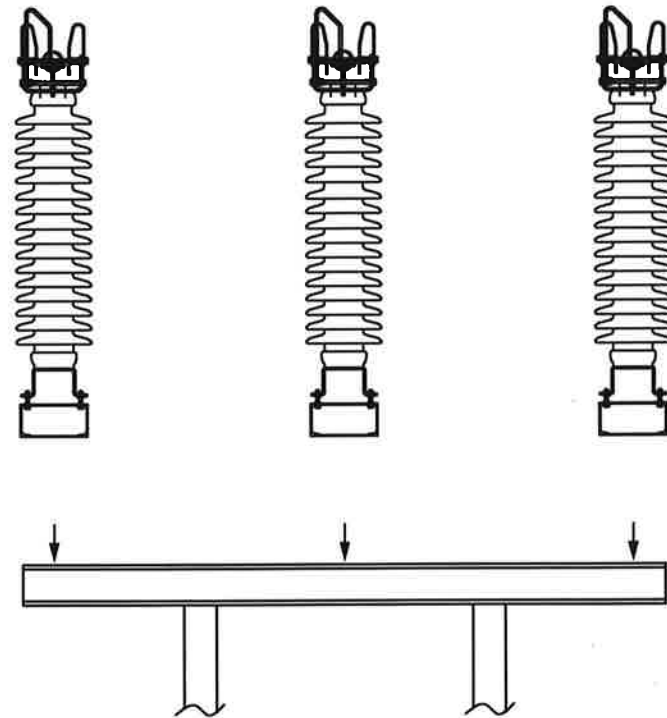


**6** Interphase and Operating Cranks

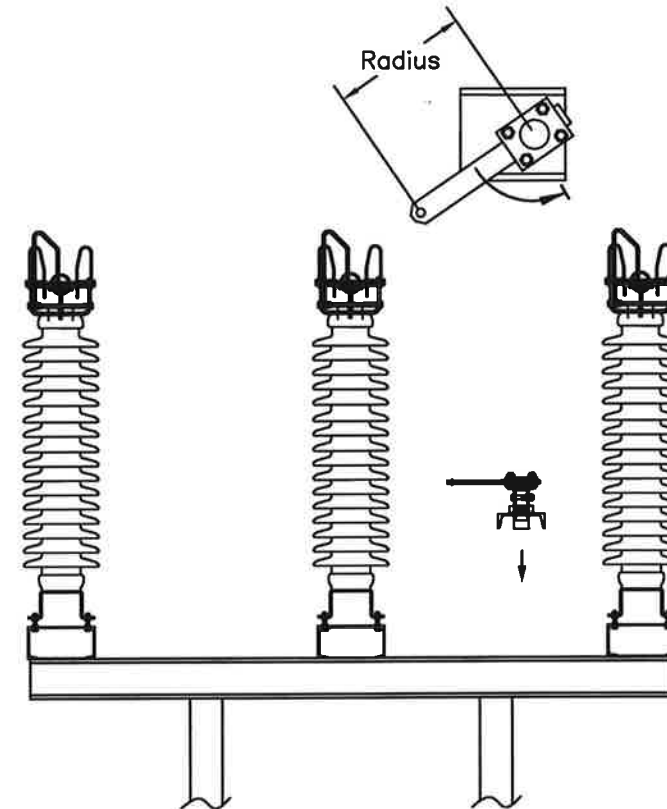


- Check Interphase and Drive Cranks per Control Drawing
- Interphase Cranks Set at 45° (Factory)
- Drive Crank Set at 45°

**7** Install Single Poles on Structure  
(Follow Instructions for Specific Switch Type)



**8** Mount Offset Bearing  
Refer to Installation Drawings for Correct Operating Crank Length Radius and Angle, and Stop Crank Position



**PASCOR ATLANTIC**

254 INDUSTRY DRIVE, BLAND VA. 24315, 276-688-3328

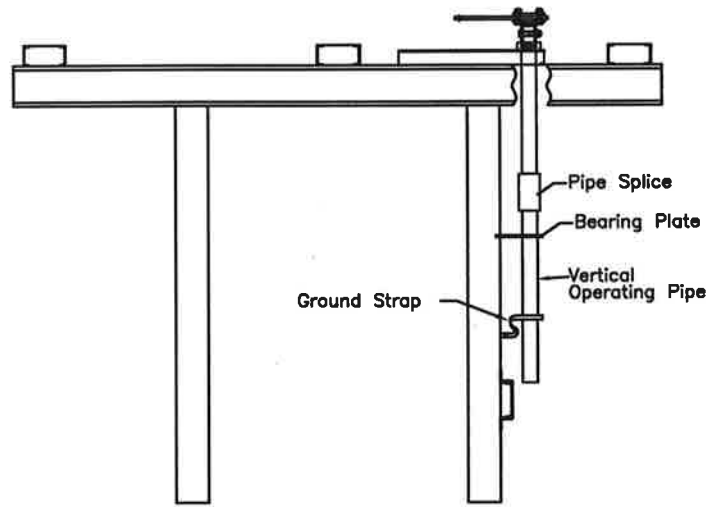
**FAS-GRD Ground Switch**

**Basic Installation Guide**

\*\* This manual should be used in conjunction with the factory drawings. To request a set of drawings please have the serial number of the switch and contact the factory at 276-688-3328.

9

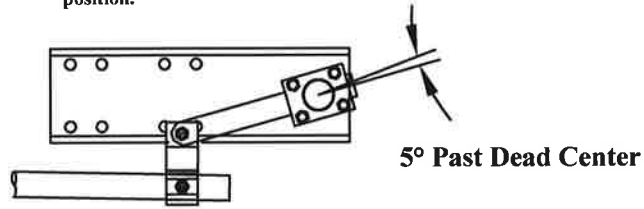
**Install Vertical Operating Pipe**  
**Install Pipe Splice, Bearing Plate, Position Indicators, and Ground Strap**



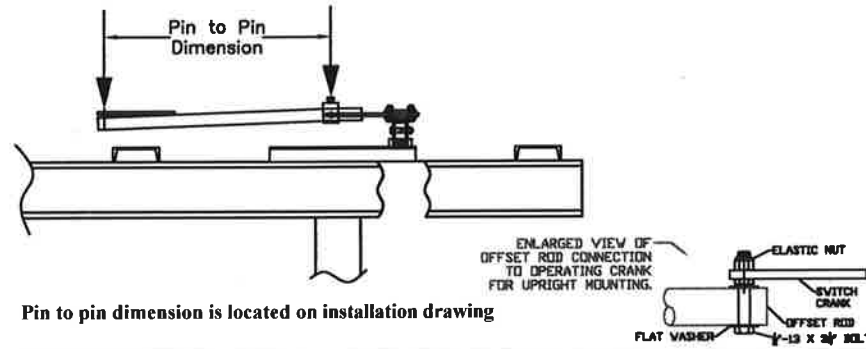
10

**Dead Center ~ "Toggle"**

- Offset bearing crank travels past dead center.
- When operating the switch, the offset bearing should "snap" over dead-center in the closed position. This is also referred to as toggle. This serves as a signal to the operator that the switch is fully closed. This is also a safety feature that insures the switch is locked in the closed position.



11 **Install Offset Rod**



Pin to pin dimension is located on installation drawing

13a **Adjust Drive Phase**



Pulling Switch Open

**Shortening Offset Rod**

- Reduces toggle pressure in closed and adds pressure to open position.
- Increase blade opening and decrease blade closing.

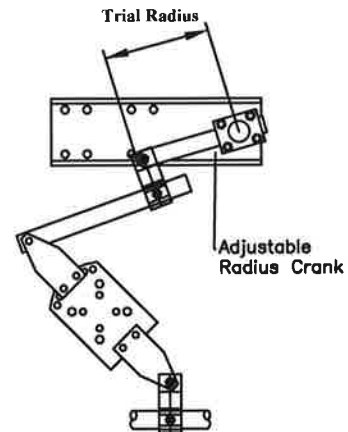
**Lengthening Offset Rod**

- Reduces toggle pressure in open and adds pressure to closed position.
- Increase blade closing and decrease blade opening.

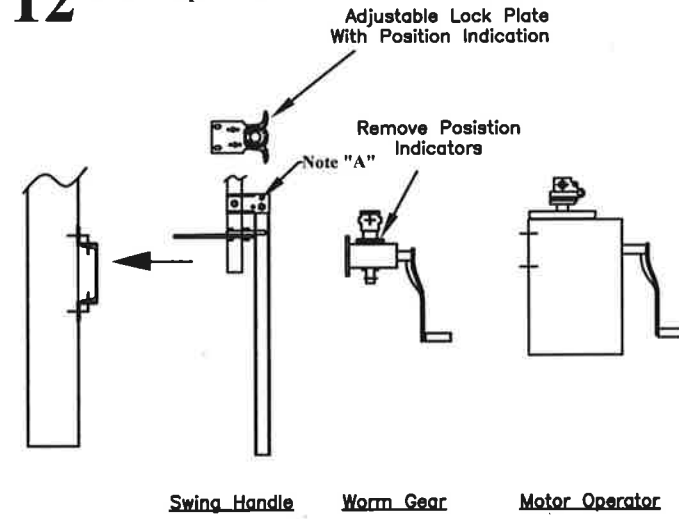
13b **Adjust Drive Phase**

The adjustable radius crank adjustment increases or decrease throw to the open and closed position.

- Lengthening increases travel and toggle pressure in open and closed.
- Shortening reduces travel and toggle pressure in open and closed.

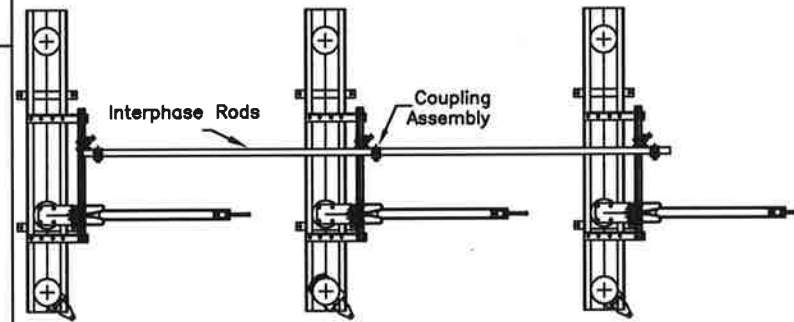


12 **Install Operator**

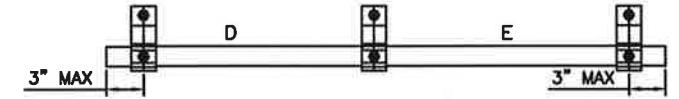


Note "A"  
 Remove 3/8" bolt to unlock swing handle.  
 Lift handle and reinsert 3/8" bolt in open hole.

14 **Install Interphase Linkage**



15 **Adjust Interphase Linkage**



**Interphase Pipe "D"**

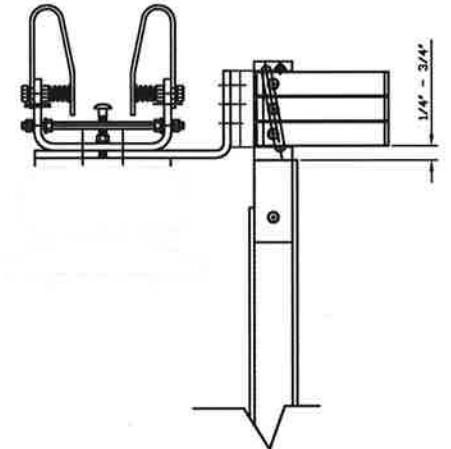
- Shorten will close more and open less.
- Lengthening will open more and close less.

**Interphase Pipe "E"**

- Shortening will open more and close less.
- Lengthening will close more and open less.

16 **Final Checks**

Blade in Closed Position



Blade in Open Position

