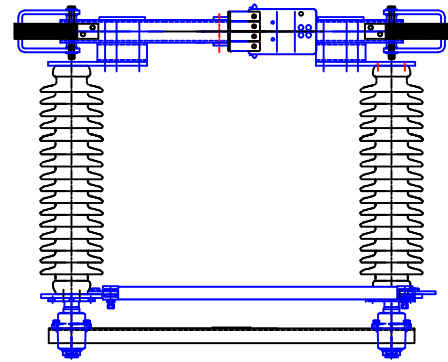
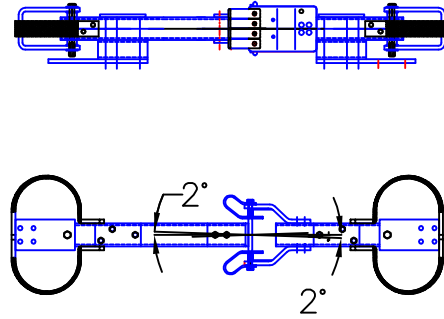


- 1** Verify Structure is Level and Plumb  
Mounting Holes Match Installation  
Drawings
- 2** Attach Bus or Cables

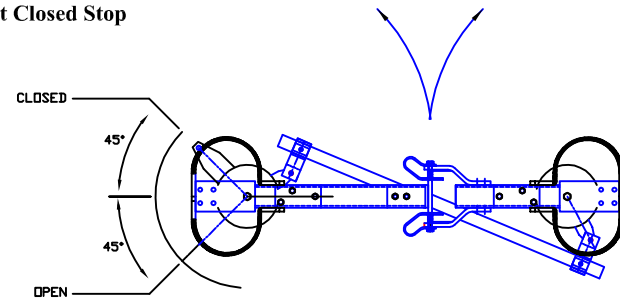
\*\*\*IMPORTANT\*\*\*



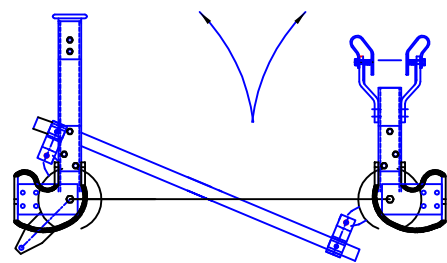
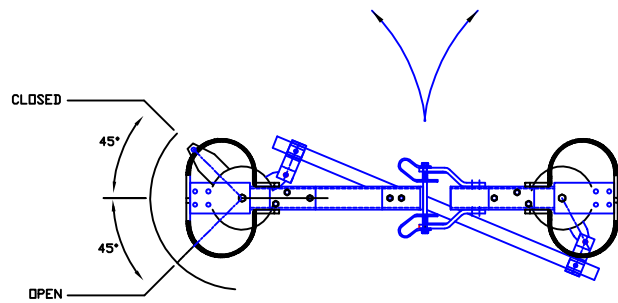
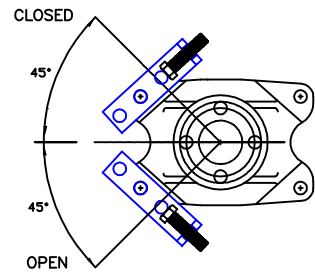
- 3** Check Blade Depth In Jaw
- 4** Check Blade Angle  
Blade Angle Tolerance is  $\pm 4^\circ$



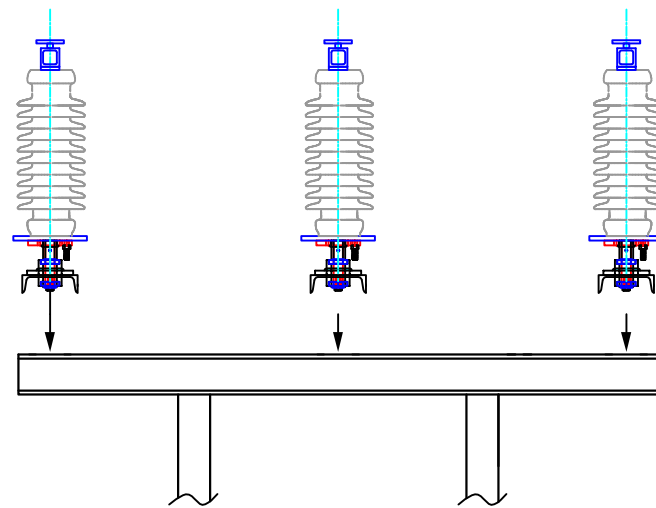
Adjust Closed Stop



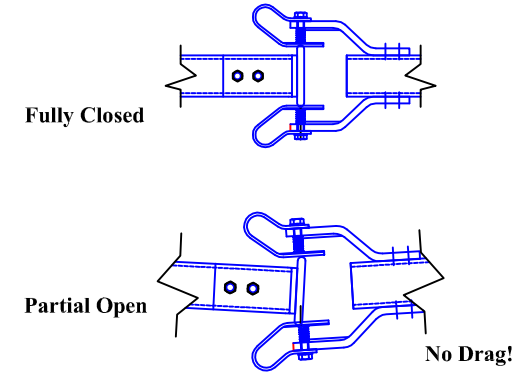
- 6** Open / Close Stop Adjustment



- 7** Install Single Poles on Structure

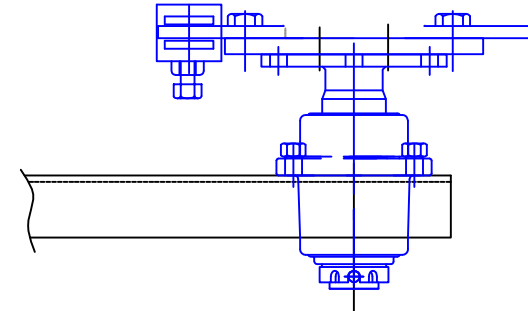


- 5a.** Check Blade Opening

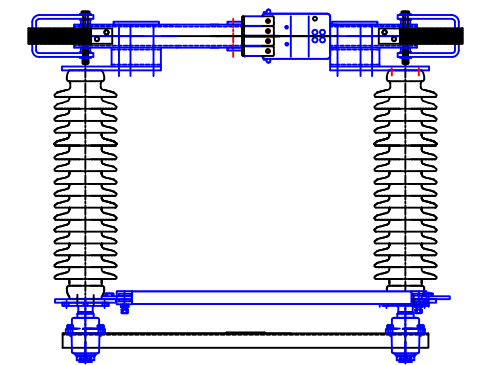
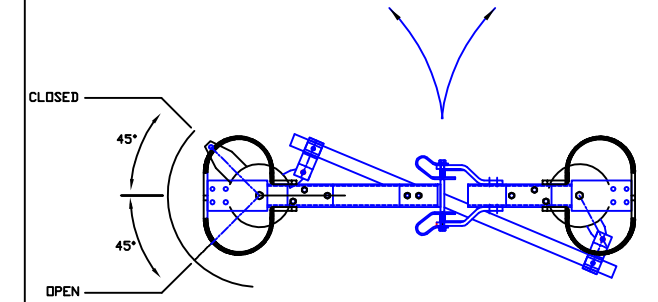


If Not

Adjust Leveling Screws or shim to  
Eliminate Drag.



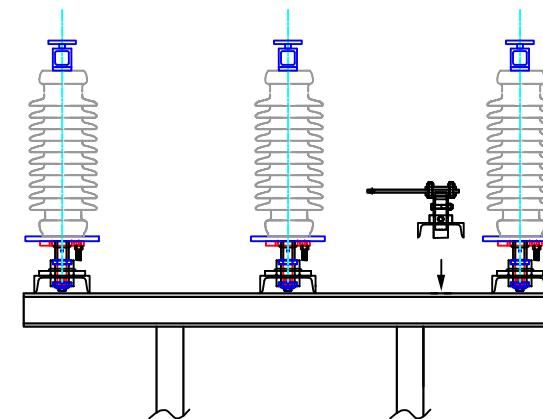
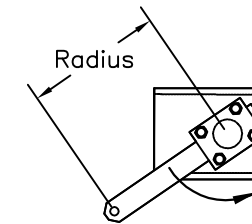
- 5b.** Check Blade Closing



- Bent End of Interpole Linkage Drive Side Only
- Drive Side of Switch on Beavertail Side Only

- 8** Mount Offset Bearing

Refer to Installation Drawings for Correct  
Operating Crank Length Radius and  
Angle, and Stop Crank Position



254 INDUSTRY DRIVE, BLAND VA. 24315, 276-688-3328

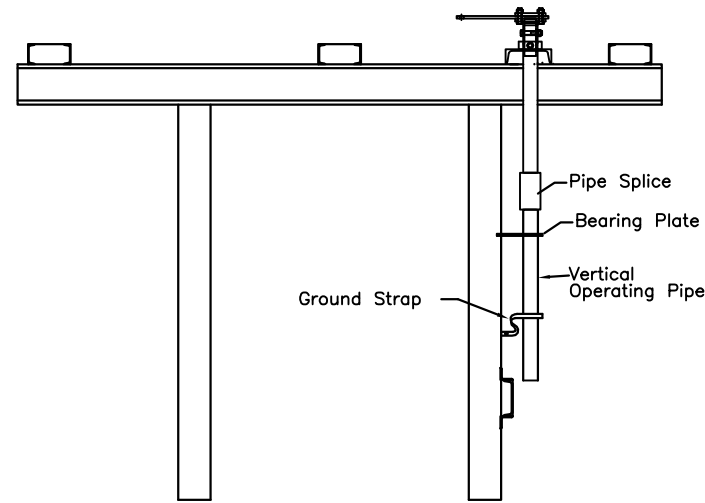
## FAS2 Center Break

## Basic Installation Guide

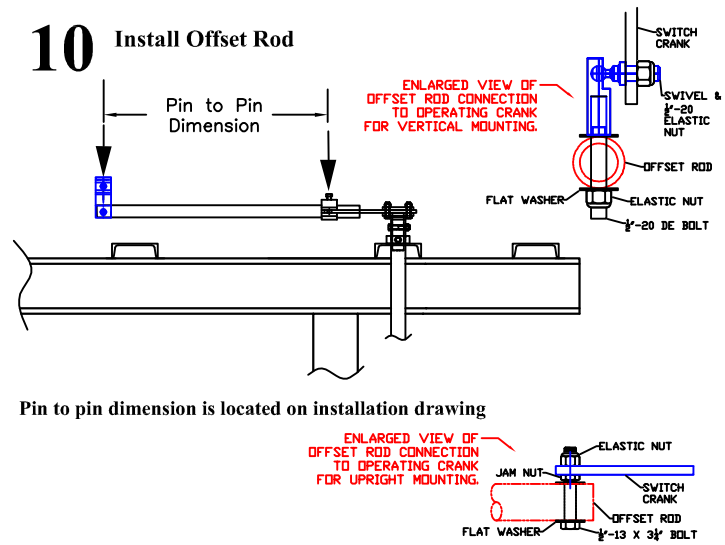
\*\* This manual should be used in conjunction with the factory drawings. To request a set of drawings please have the serial number of the switch and contact the factory at 276-688-3328.

## 9 Install Vertical Operating Pipe

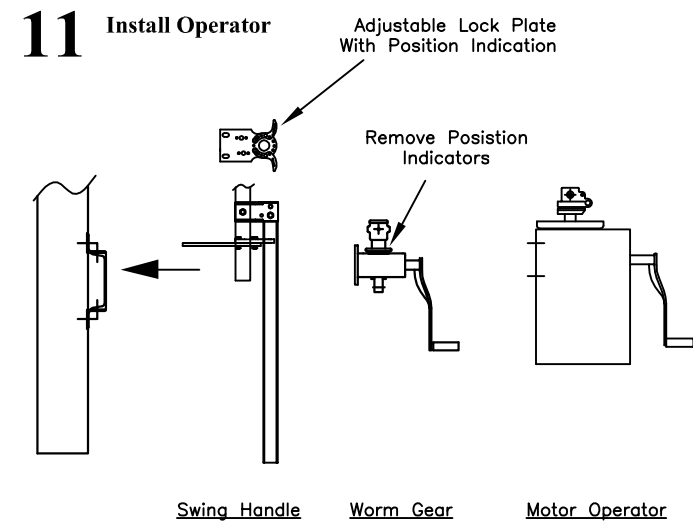
Install Pipe Splice, Bearing Plate, Position Indicators, and Ground Strap



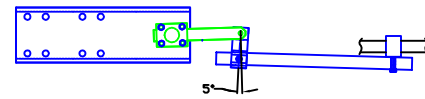
## 10 Install Offset Rod



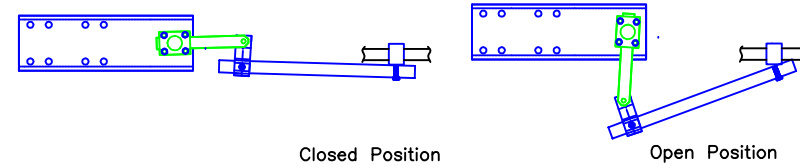
## 11 Install Operator



- Dead Center ~ "Toggle"
- Offset bearing crank travels past dead center.
  - When operating the switch, the offset bearing should "snap" over dead-center in the closed position. This is also referred to as toggle. This serves as a signal to the operator that the switch is fully closed. This is also a safety feature that insures the switch is locked in the closed position.



## 12a Adjust Drive Phase



Pulling Switch Open

### Shortening Offset Rod

- Reduces toggle pressure in closed and adds pressure to open position.
- Increase blade opening and decrease blade closing.

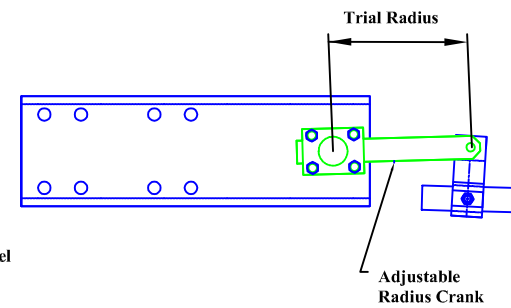
### Lengthening Offset Rod

- Reduces toggle pressure in open and adds pressure to closed position.
- Increase blade closing and decrease blade opening.

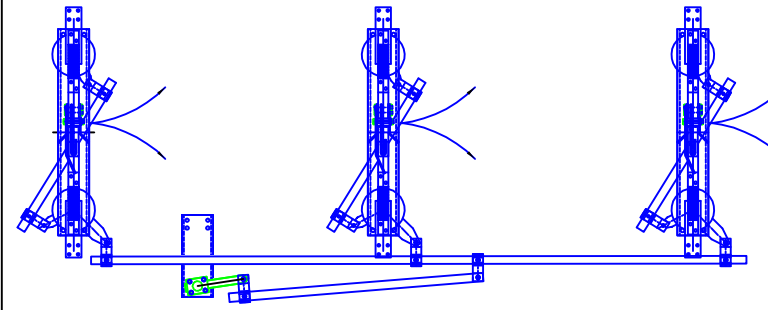
## 12b Adjust Drive Phase

The adjustable radius crank adjustment increases or decrease throw to the open and closed position.

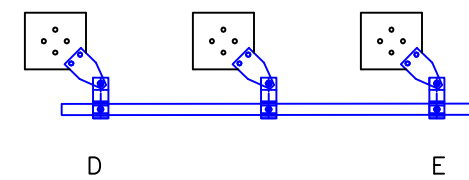
- Lengthening increases travel and toggle pressure in open and closed.
- Shortening reduces travel and toggle pressure in open and closed.



## 13 Install Interphase Linkage



## 14 Adjust Interphase Linkage



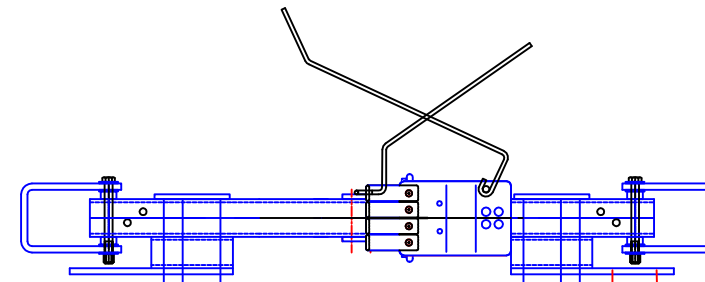
### Interphase Pipe "D"

- Shorten will close more and open less.
- Lengthening will open more and close less.

### Interphase Pipe "E"

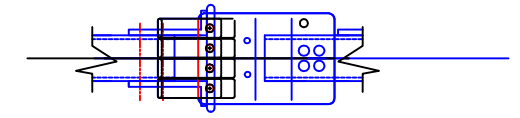
- Shortening will open more and close less.
- Lengthening will close more and open less.

## 15 Install Arcing Horns and Corona Rings (If Applicable)

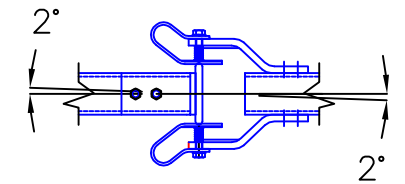


## 16 Final Checks

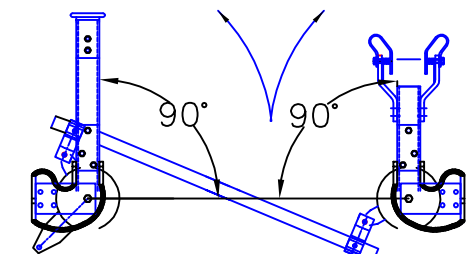
- Blade Centered in Jaw
- Blade is 0" to 1/2" Off the Blade Stop



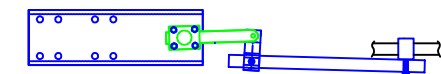
- Blade Contact Angle is  $\pm 4^\circ$  in Jaw



- Blade Opening



- The offset bearing toggles in the close position.



- All jaw mounting bolts are tightened with switch in close position.
- Tighten all locking nuts and pierce bolts.
- For worm gears - Position indicators are installed.

