

Pascor
Atlantic
Advantages

- 105 years of continuous service to electrical industry
- IEEE NEMA standards met
- Shortest lead time in the market
- Quality products and processes
- Enhanced factory Capabilities
- Dedicated Workforce
- High precision machinery
- Maintenance free bearings
- On time delivery
- Extensive technical and Field service support

Applications

- Mounting: vertical, horizontal or inverted
- 23-138 kV
- 1200-2000 AMPS
- Line disconnecting, circuit breaker by pass and isolation and transformer isolation
- Standard configuration available
- Minimal Structure Required

FAS 2

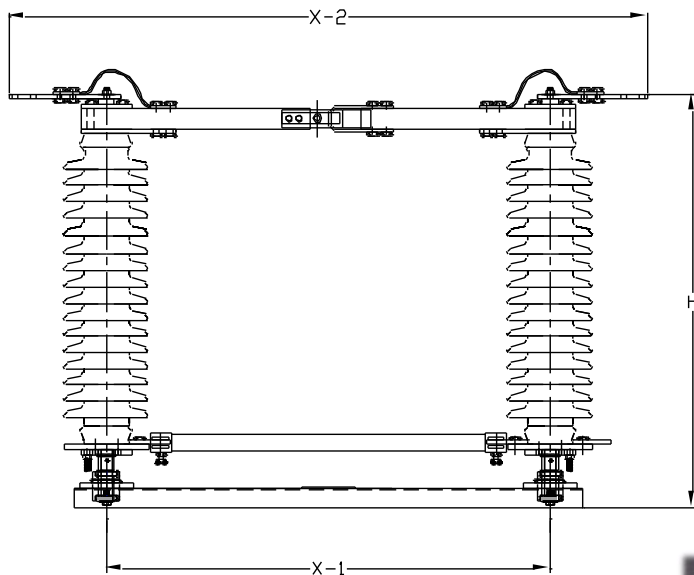
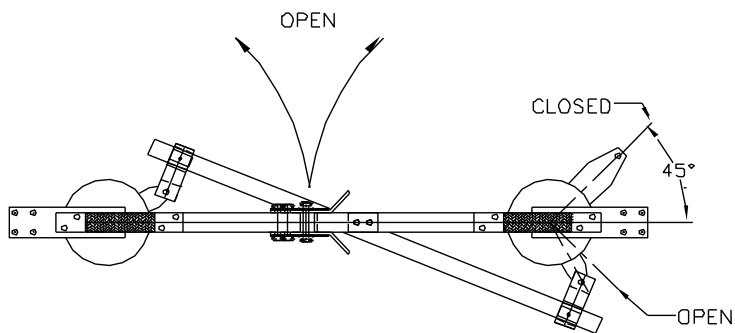
Standard
Accessories

- Arcing horns
- Tin plated copper components used in critical current transfer areas
- Leveling screws
- Silver to Silver contacts upon request
- Sliding link interphase rods

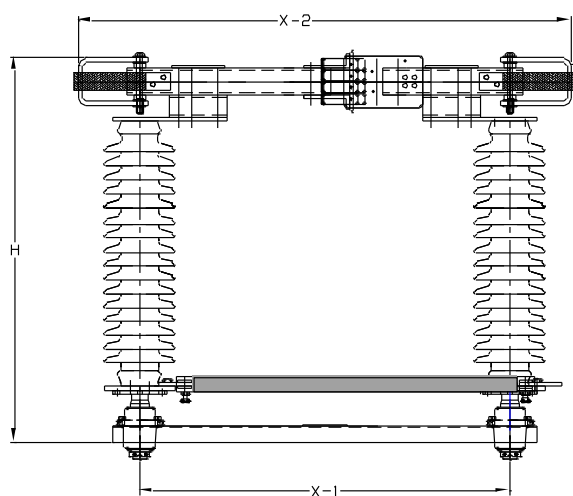
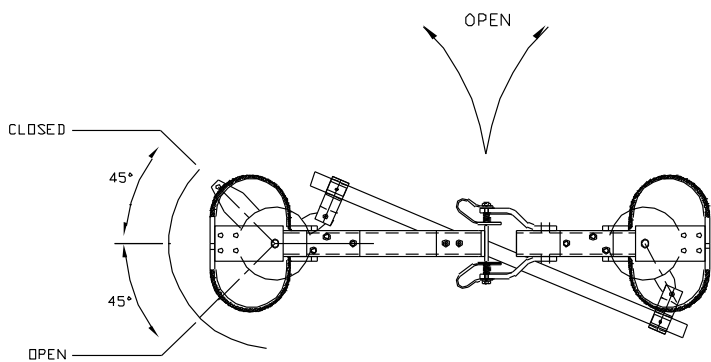
Performance
Features

- Self-cleaning/wiping jaws
- Easily field replaceable contacts
- Low maintenance
- Can be used with: Swing handle, worm gear or a motor operator
- Hard-drawn extruded aluminum materials
- ¾" Ice breaking
- Tested to 1,500 plus open/close operations completed
- Maintenance free bearings





FAS2 1200A			
kV	Height	Insulator Spacing (X-1)	Length (X-2)
138	6'-1 1/4"	6'-0"	7'-2"
115	5'-4 1/2"	5'-0"	6'-2"
69	3'-3 13/16"	3'-6"	5'-0 1/2"
46	2'-7 13/16"	2'-6"	4'-0 1/2"
34.5	2'-3 13/16"	2'-6"	4'-0 1/2"
23	1'-11 13/16"	2'-6"	4'-0 1/2"



FAS2 2000A			
kV	Height	Insulator Spacing (X-1)	Length (X-2)
138	6'-1 1/4"	6'-0"	7'-2"
115	5'-4 1/2"	5'-0"	6'-2"
69	3'-7 3/4"	3'-6"	4'-7 15/16"
46	2'-11 3/4"	3'-6"	4'-7 15/16"
34.5	2'-7 3/4"	3'-6"	4'-7 15/16"
23	2'-3 3/4"	3'-6"	4'-7 15/16"

Pascor Atlantic
 (276) 688-3328
 254 Industry Drive
 Bland, Virginia 24315
www.pascoratlantic.com