

## Pascor Atlantic Advantages



## Applications

- 105 years of continuous service to electrical industry
- IEEE & NEMA standards met
- Shortest lead time in the market
- Quality products and processes
- Enhanced factory capabilities
- Dedicated workforce
- High precision machinery
- Maintenance free bearings
- On time delivery
- Extensive technical and field service support

- Mounting: Jaw or Hinge End
- 7.5-138 kV
- 70kA Momentary
- Adaptable to FAS switch as well as Legacy products.

# FAS-GRD

## Standard Accessories

## Performance Features

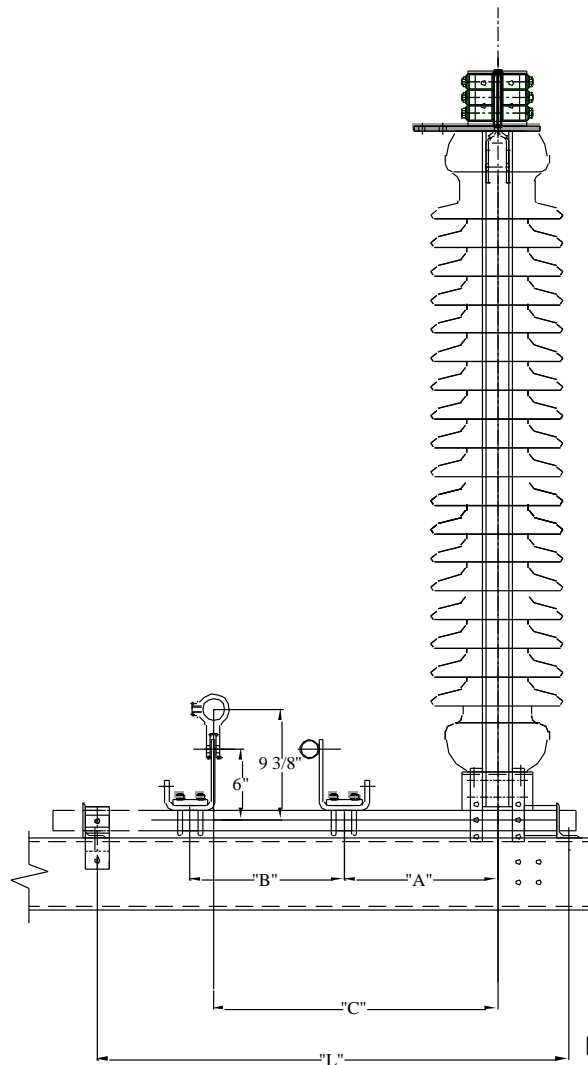
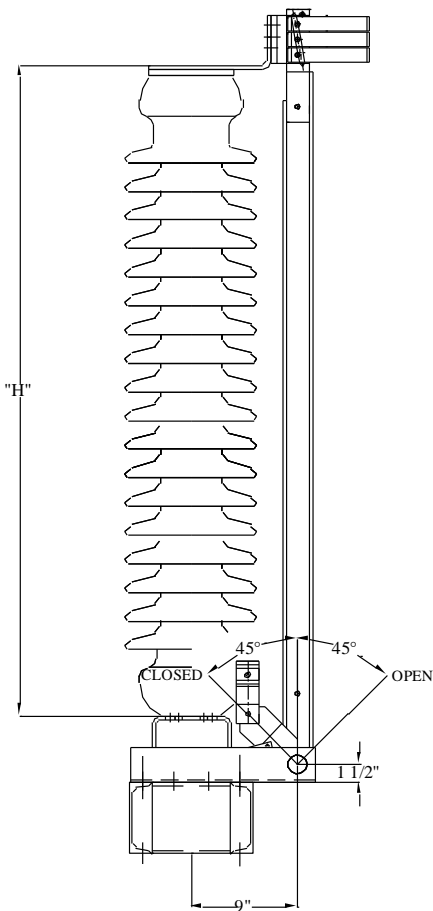
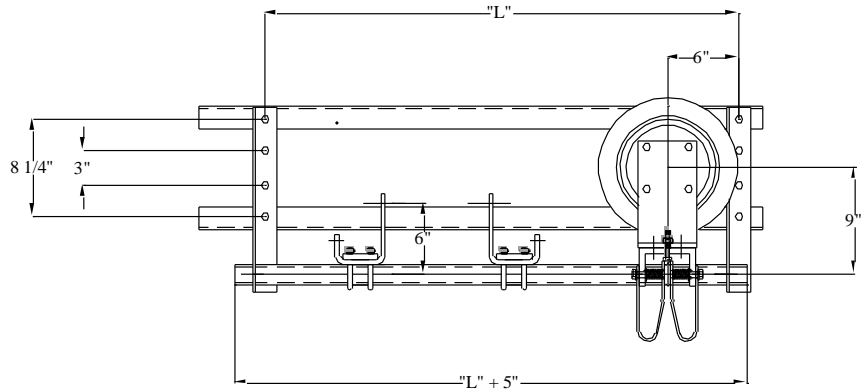
- Tin plated copper components used in critical current transfer areas
- Silver to Silver contacts upon request
- Sliding link interphase rods

- Self-cleaning/wiping jaws
- Easily field replaceable contacts
- Low maintenance
- Can be used with: Swing handle or a motor operator
- Reverse loop contact configuration
- Hard-drawn extruded aluminum materials
- ¾" Ice breaking
- Tested to 1,500 plus open/close operations completed



CRANK LOCATION MINIMUM DIMS.

	FRAME MTG. DIM.	DRIVE CRANK	INT. CRANK	INTERPHASE TO INSULATOR	Height
kV	"L"	"A"	"B"	"C"	"H"
138	3'-3"	1'-1"	1'-1"	2'-0"	Ins. Height + 7/8"
115	3'-1"	10"	1'-2"	1'-10"	Ins. Height + 7/8"
69	2'-7"	8"	10"	1'-4"	Ins. Height + 7/8"
7.5-46	2'-7"	8"	10"	1'-4"	Ins. Height + 7/8"



Pascor Atlantic  
 (276) 688-3328  
 254 Industry Drive  
 Bland, Virginia 24315  
[www.pascoratlantic.com](http://www.pascoratlantic.com)